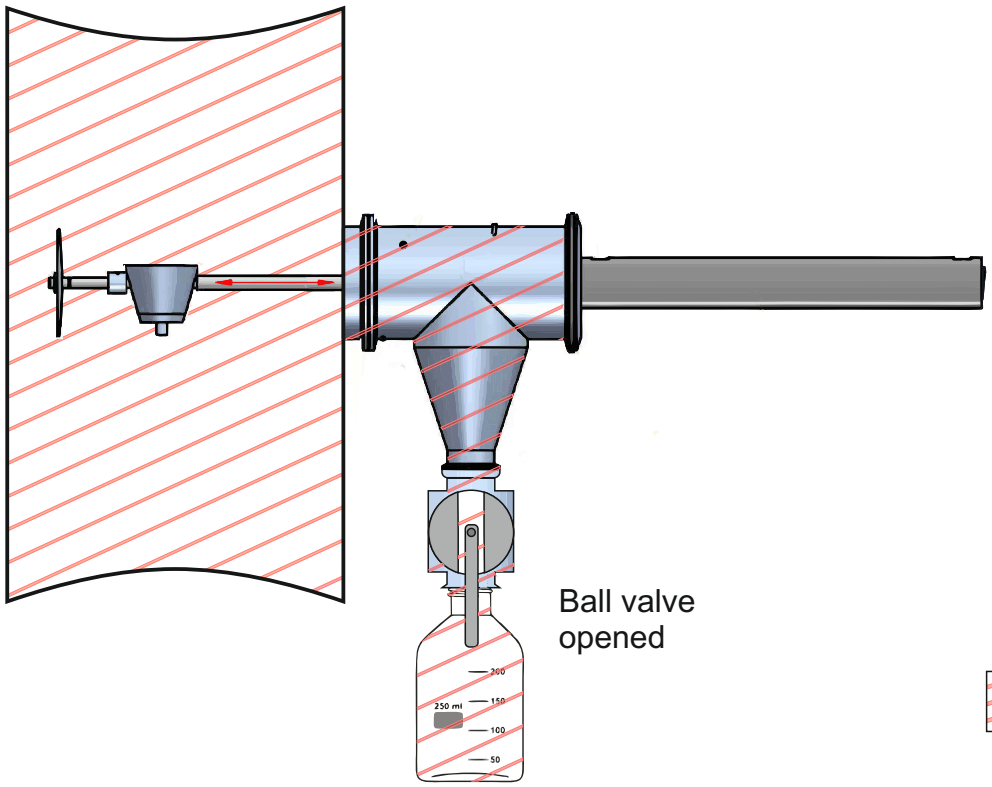
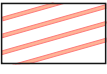


Ball valve closed



Ball valve opened

 pressurized area